

MD200 AC Drive

Open Loop General Purpose & Economic

Features & Functions

- Open loop V/F control
- Starting torque of 150% at 3Hz
- Modbus or CANLink comms
- Automatic torque boost
- Slip compensation
- Simplified parameter for easy start up
- 2-Independent S-Ramps
- Flexible programmable I/O connection
- Variable DC-injection braking
- Comprehensive trip diagnostics
- Output frequency 500Hz
- In-Built Dynamic braking unit

NEW

Wide operating voltage
 Single Phase 220Vac
 170 to 264Vac
 0.4 ~2.2kW



NEW

Internal EMC Filter

Complies with EN61800-3
 Category C2
 2nd Environment

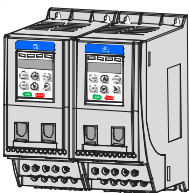
Operation in high
 ambient temperature
 45°C_{avg}

Enhanced reliability
 protection against
 humidity and pollution
 dust

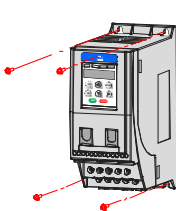


NEW

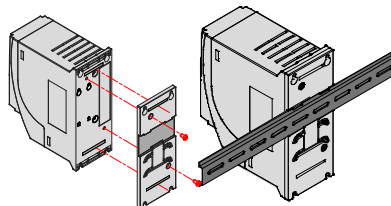
Flexible Installation Mode



Side-by-Side



Wall Mounted

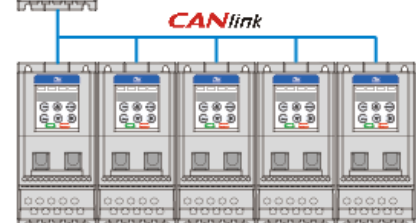


DIN Rail Mounted

Onboard Comms
 Modbus / CANLink



CANlink speed sync.



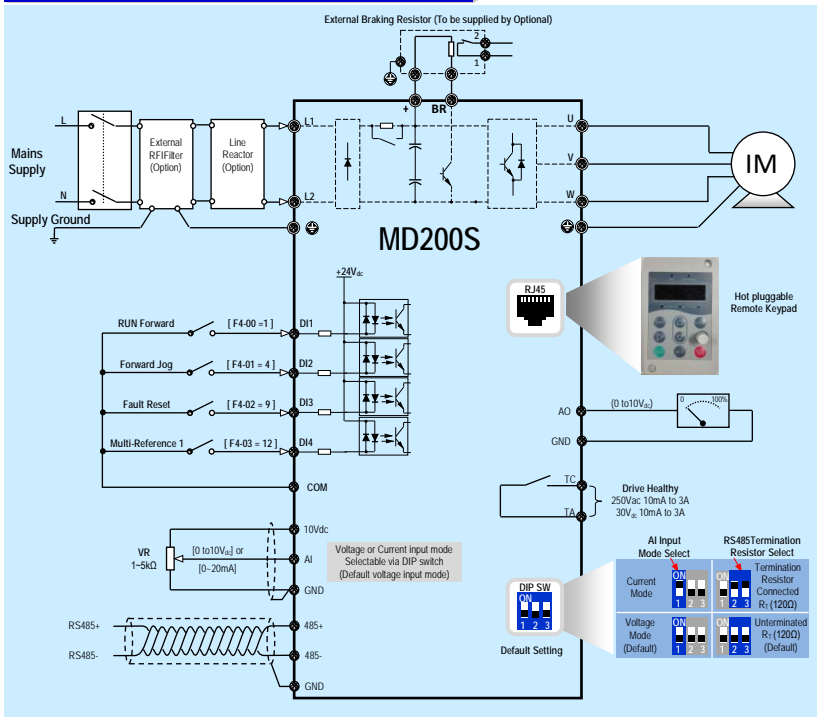
General Specifications

Voltage class		Single Phase 220Vac				Three Phase 400Vac (Under development)				
Drive Model: MD200xxxxB-INT		S0.4B	S0.75B	S1.5B	S2.2B	T0.75B	T1.5B	T2.2B	T3.7B	
Dimension	Height	[H1] : 180 mm				[H1] : 180 mm				
	Width	[W] : 75 mm				[W] : 75 mm				
	Depth	[D] : 145 mm				[D] : 145 mm				
Drive Input	Rated Input Voltage	Single Phase 200Vac to 240Vac, -15% to +10% (170Vac to 264Vac)				Three Phase 380 to 480V, -15% to +10% (323Vac to 528Vac)				
	Rated Input Current, [A]	6.5	11.0	18.0	27.0	3.4	5.0	5.5	11	
	Rated input frequency	50/60 Hz, ±5% (47.5 to 63Hz)								
Drive Output	Applicable Motor	[kW]	0.4	0.75	1.5	2.2	0.75	1.5	2.2	3.7
		[HP]	0.5	1	2	3	1	2	3	5
	Output Current, [A]*2	2.6	4.6	8	11	3.4	4.8	5.5	9.1	
	Power Capacity, [kVA]	1.7	3.0	4.8	7.1	1.7	3.0	4.8	7.1	
	Overload Capacity	150% for 60 Sec & 180% for 3 Sec								
	Max. output voltage	Three Phase 200Vac to 240Vac (Proportional to input voltage)				Three Phase 380Vac to 480Vac (Proportional to input voltage)				
	Max. output frequency	500 Hz								
Braking Resistor	Recommended Power, [W]	80	80	100	100	150	250	300	400	
	Recommended Resistance, [Ω]	≥200	≥150	≥100	≥70	≥300	≥220	≥200	≥130	
Enclosure		IP 20								

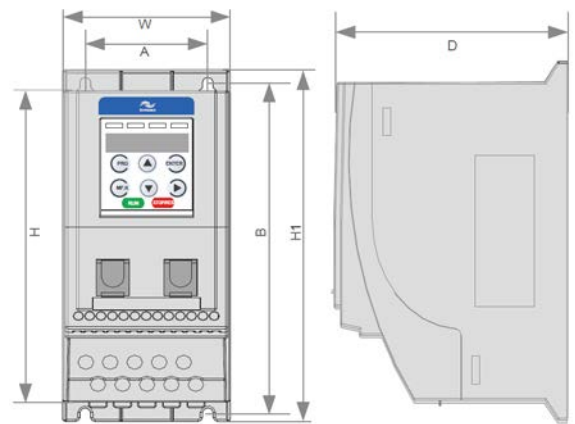
*2Carrier switching frequency 6kHz at rated output current

** All units are fan cooled


General Connection Diagram



Dimension



For more information, please contact our local offices.

 <p>Hong Kong SAR Inova Automation Co., Limited International Export Office Tel : (852) 2751 6080 Fax : (852) 2751 6933 info@inova-automation.com www.inova-automation.com</p>	<p>Italy - Milan Inova Automation Italy Srl Tel : (39) 02 2682 2318 info@inova-automation.com</p>	<p>India: Inova Automation Pvt, Ltd. Head Office Chennai Tel : (91) 44 4380 0201 Ahmedabad Tel : (91) 79 4003 4274 Mumbai Tel : (91) 90 0496 0595 New Dehli Tel: (91) 99 9092 8961 info.inovaindia@inova-automation.com</p>	<p>Turkey - Istanbul Inova Automation Türkiye Tel : (90) 216 706 1789 info.turkey@inova-automation.com</p>
---	--	--	---